

4

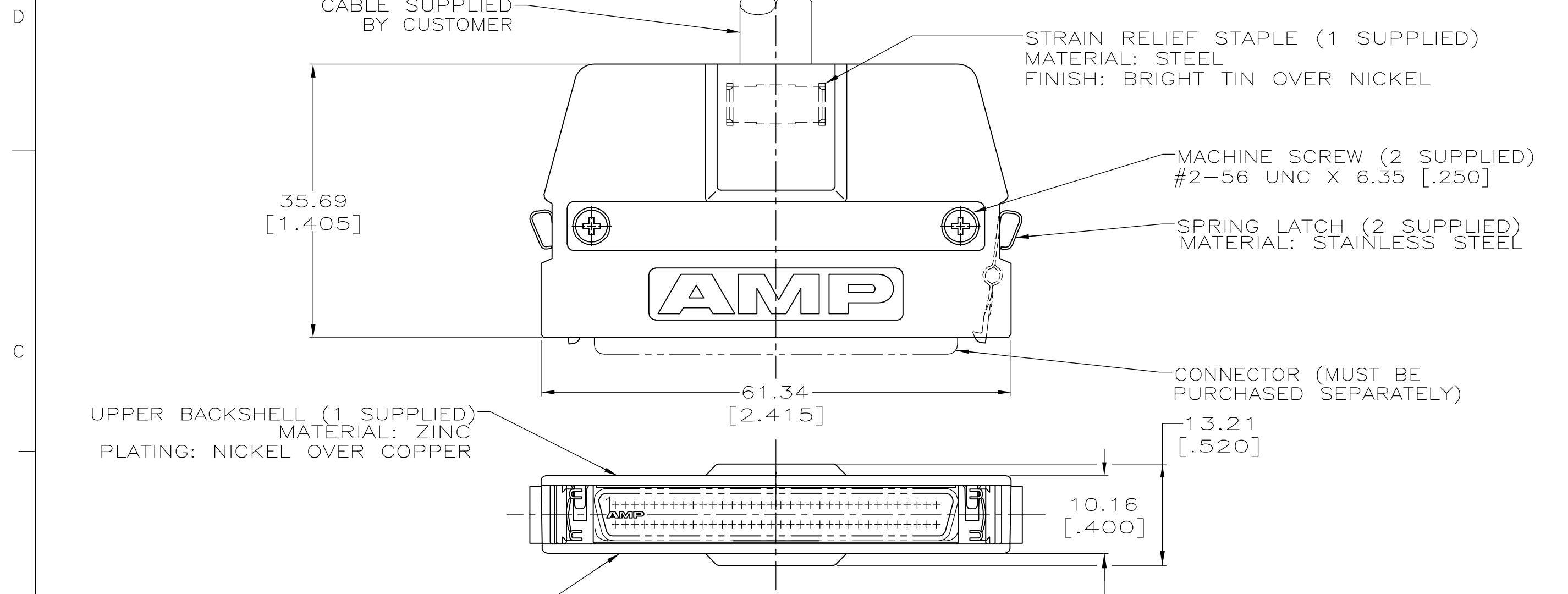
3

2

1

THIS DRAWING IS UNPUBLISHED. RELEASED FOR PUBLICATION
 © COPYRIGHT BY TYCO ELECTRONICS CORPORATION. ALL RIGHTS RESERVED.

LOC	DIST	REVISIONS					
GP	00	P	LTR	DESCRIPTION	DATE	DWN	APVD
			0	RELEASED PER EC OS13-0001-05	25AUG05	GP	JG



CABLE SUPPLIED BY CUSTOMER

STRAIN RELIEF STAPLE (1 SUPPLIED)
 MATERIAL: STEEL
 FINISH: BRIGHT TIN OVER NICKEL

MACHINE SCREW (2 SUPPLIED)
 #2-56 UNC X 6.35 [.250]

SPRING LATCH (2 SUPPLIED)
 MATERIAL: STAINLESS STEEL

CONNECTOR (MUST BE PURCHASED SEPARATELY)

UPPER BACKSHELL (1 SUPPLIED)
 MATERIAL: ZINC
 PLATING: NICKEL OVER COPPER

LOWER BACKSHELL (1 SUPPLIED)
 MATERIAL: ZINC
 PLATING: NICKEL OVER COPPER

1 11.18 [.440] MAX CABLE DIA
 2. PARTS PACKAGED AS A UNIT KIT.

**COPYRIGHT 2005
 TYCO ELECTRONICS CORP
 ALL RIGHTS RESERVED**

5749195-2
 PART NO

THIS DRAWING IS A CONTROLLED DOCUMENT.		DWN G.PETERS	25AUG05	tyco Electronics	Tyco Electronics Corporation Harrisburg, Pa 17105-3608			
DIMENSIONS: mm [INCHES]		CHK S.SHUEY	25AUG05		NAME INDIVIDUAL KIT, UNASSEMBLED, 68 POSITION, STRAIGHT EXIT, UNKEYED, AMPLIMITE .050 Series			
TOLERANCES UNLESS OTHERWISE SPECIFIED:		APVD M.WALMSLEY	25AUG05	PRODUCT SPEC		APPLICATION SPEC		RESTRICTED TO
MATERIAL		FINISH		SIZE	CAGE CODE	DRAWING NO	REVISION	
-		-		A3	00779	C-5749195	0	
CUSTOMER DRAWING				SCALE	1:1	SHEET	1 OF 1	